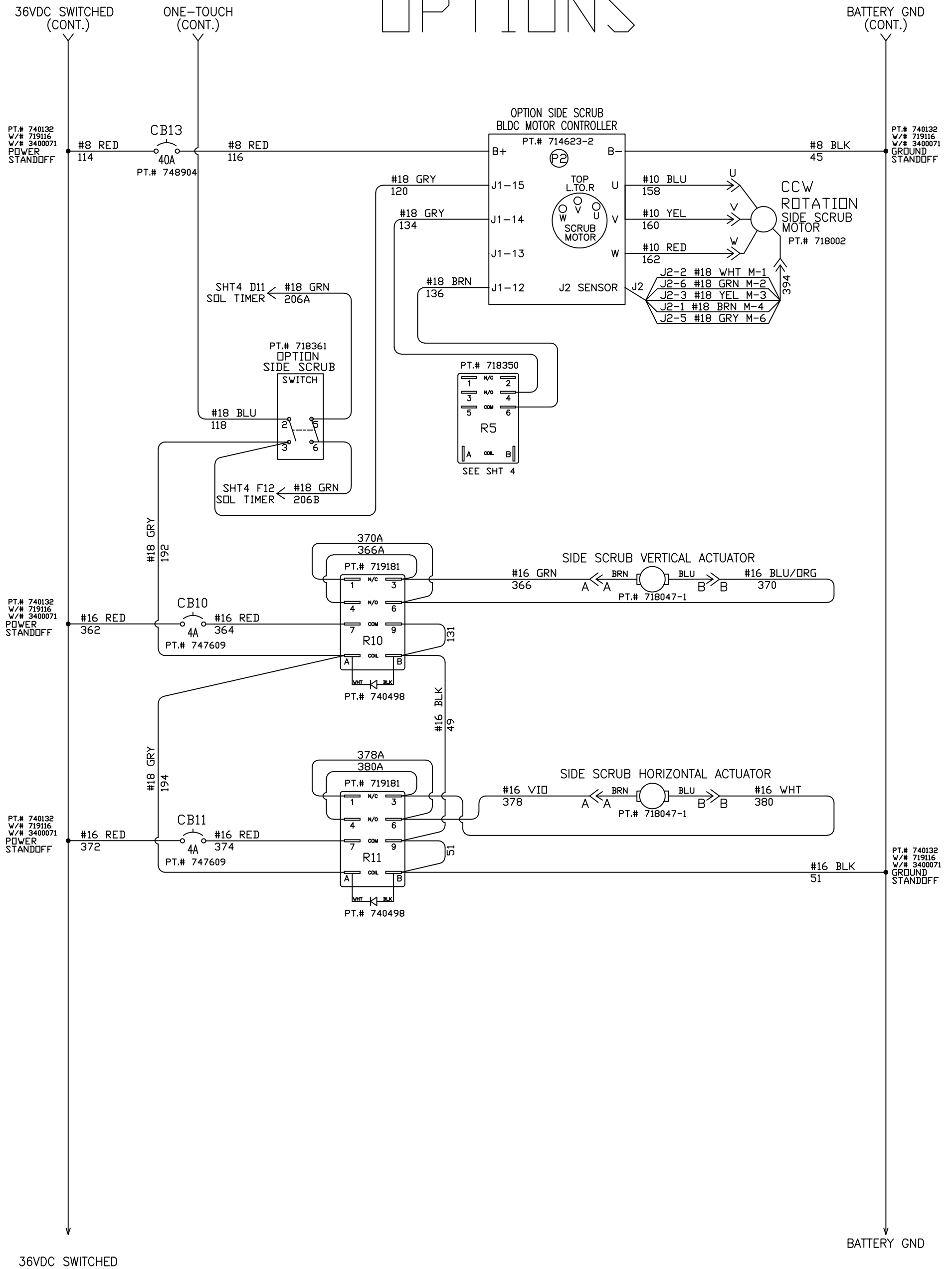


OPTIONS



CONFIDENTIAL									
THIS DRAWING AND ALL INFORMATION CONTAINED THEREIN ARE THE EXCLUSIVE PROPERTY OF MINUTEMAN INTERNATIONAL, INC. THIS DRAWING IS NOT TO BE COPIED OR OTHERWISE REPRODUCED WITHOUT EXPRESSED WRITTEN PERMISSION OF MINUTEMAN INTERNATIONAL, INC. IN ADDITION, THIS DRAWING MUST BE RETURNED UPON REQUEST. FURTHER, ALL INFORMATION CONTAINED HEREIN MUST BE MAINTAINED CONFIDENTIAL.									
TITLE SCHEMATIC, NAUTILUS E DISC								SCALE NTS	
MATERIAL N/A					FINISH N/A				
TOLERANCES (UNLESS OTHERWISE SPECIFIED)					REMOVE BURRS AND BREAK SHARP EDGES .005/.020				
0-1" ± 1/16		.000 ± .005		SIZE	DRAWN BY KEN.HARTLEY		DATE 03/13/20		
>1-12" ± 1/4"		.00 ± .010		B	CHECKED BY KEN.HARTLEY		DATE 03/13/20		
<12" ± 1/2"		ANGLES ± 30'							
14N845 U.S. ROUTE 20 PINGREE GROVE, IL 60140					P.N. 719550		REV D		
SHEET 8 OF 8									

REV	E.C.N.	DATE	CHANGE	BY	CHK BY
D	152128	06/21/22	CHANGE VAC MOTOR CKT BKR TO 30 AMP, WAS 20	KHH	KHH
C	151895	11/11/21	UPDATED R7 & SIDE SCRUB OPTION, REMOVE R19-VAC WAND	KHH	KHH
B	151406	07/27/20	UPDATED CE OPTIONS	KHH	KHH